

# ***Assembly instructions***

## ***Sliding System Edition Basic***

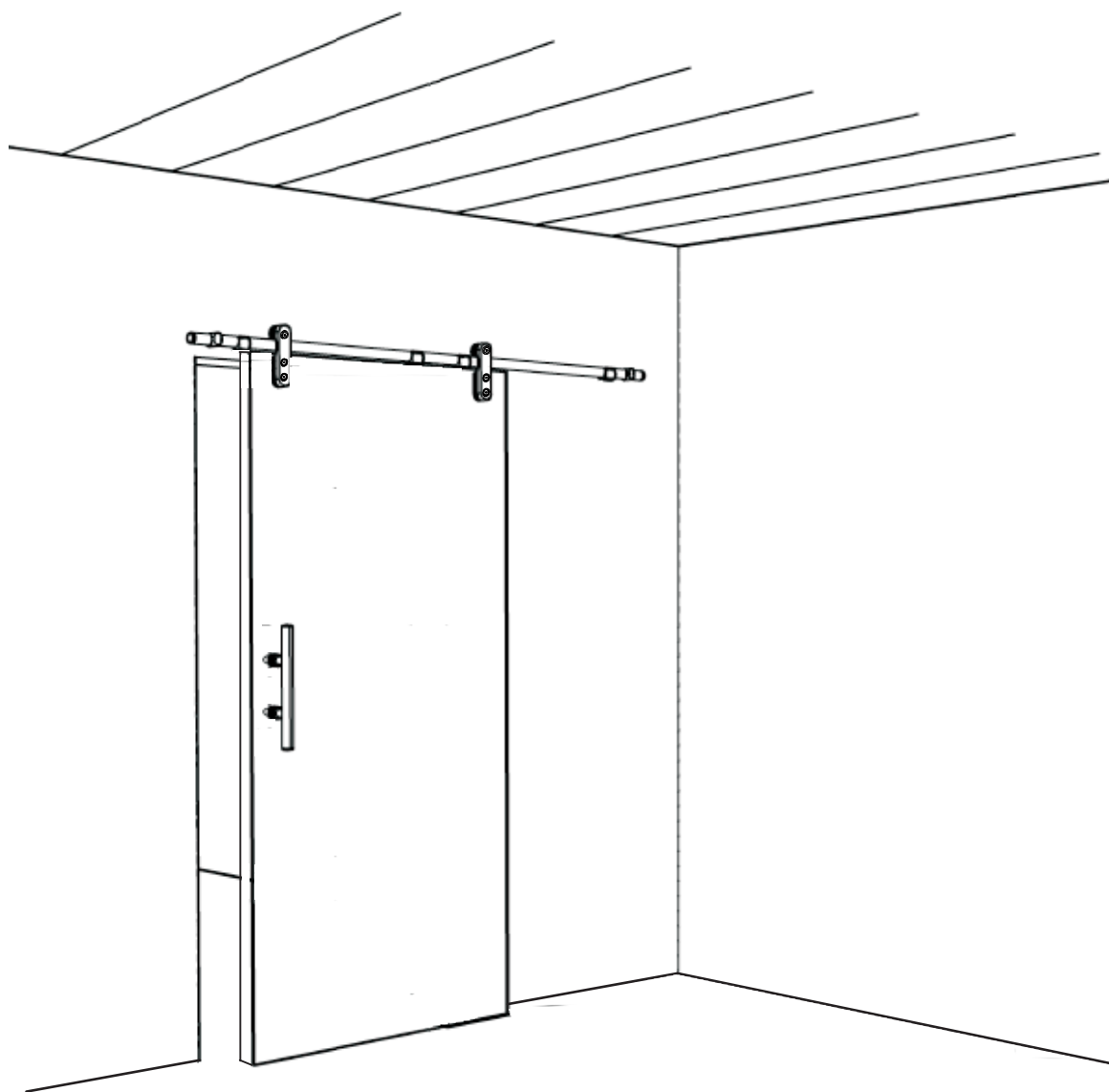
***Montage for wood doors***

***Up to 120 kg***

### **System data**

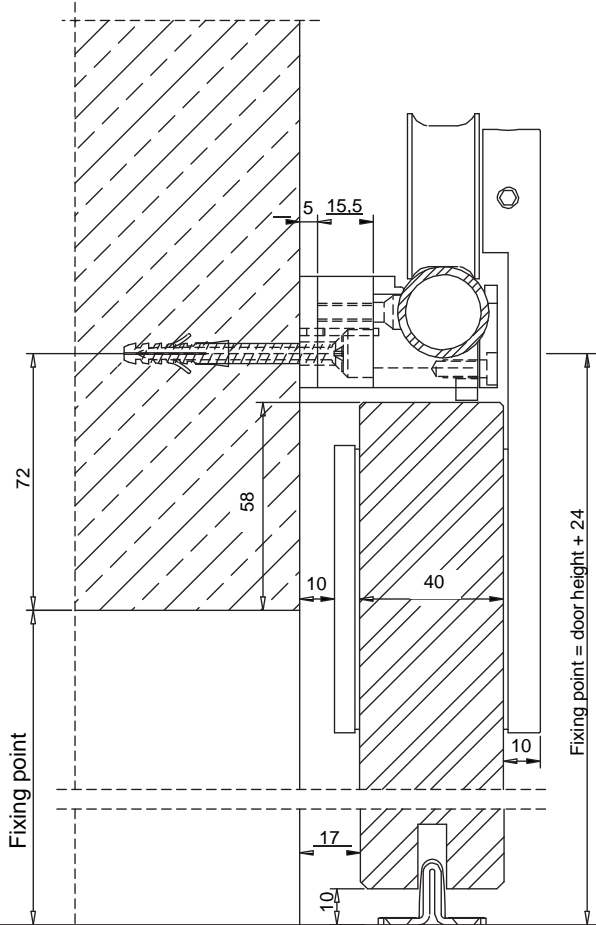
Maximum door weight 120 kg

Door thickness: 40 mm

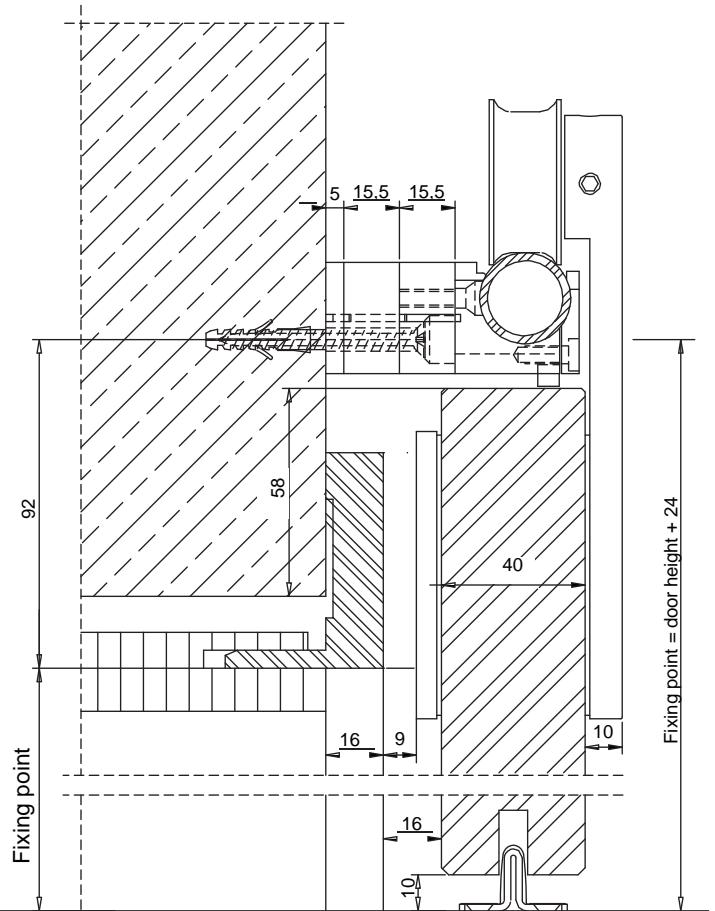


# System view

Wall montage:



Frame montage

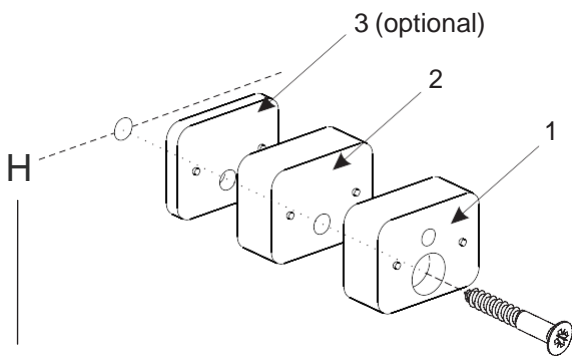


## 1. Mounting the brackets

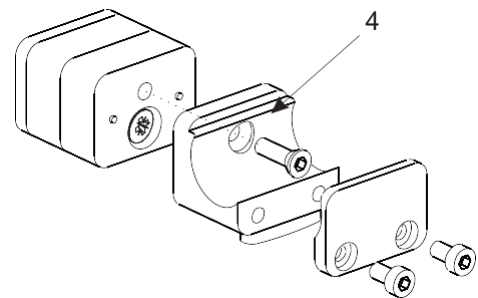
- a) The contour line (H), mark the position of the holder on the attach point

Wall montage: 1 + (3)  
 Frame montage: 1 + 2 + (3)

- b) Securing the point holder ( 4 ) on the spacer.



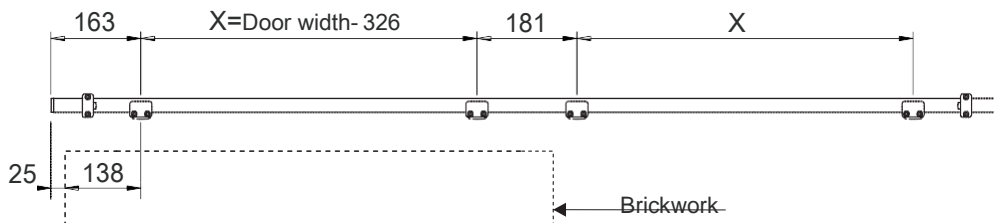
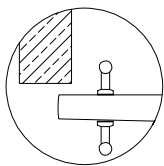
Contour line (H)  
 Wall mounting:  $H = \text{door height} + 24 \text{ mm}$   
 Frame mounting  $H = \text{door height} + 14 \text{ mm}$



**Attention:**  
 Fixing point and backing are made as a set and should not be interchanged with each other..

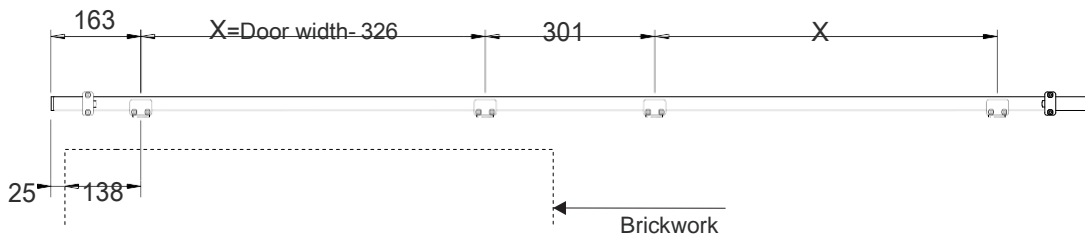
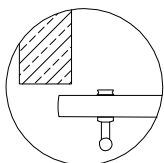
**Version 1:**

Wall mounted grab bar on both sides



**Version 2:**

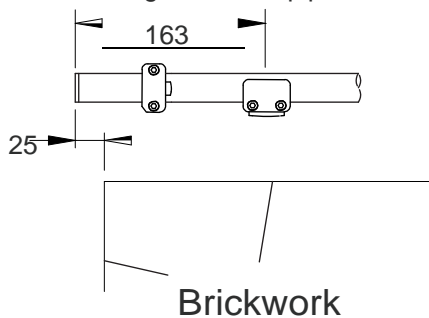
Wall mounted grab bar on one side



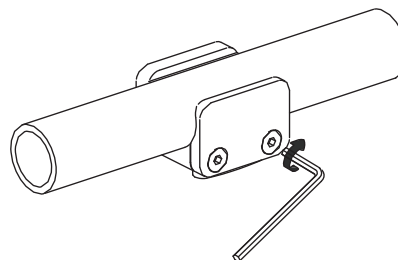
Note: If you have cut the overflow tube, we recommend the end cap from the remaining piece from the back to be push out through the tube. .

**2. Track installation**

a. Insert and align overflow pipe

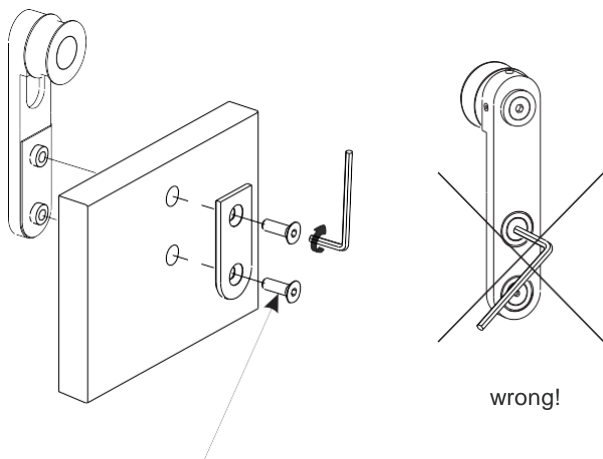


b. Tighten retaining screws

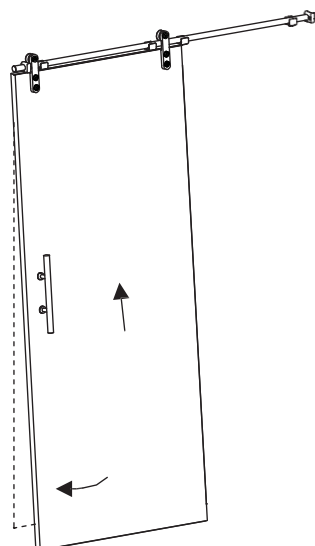


**3. Fitting the rollers and the door**

a. Fit the fixings on the door



b. Hanging the door on the overflow pipe.

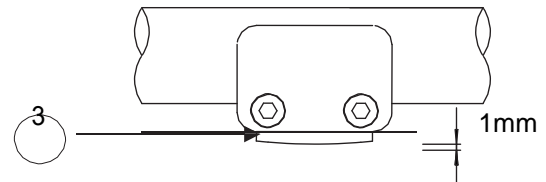
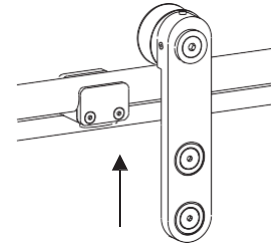
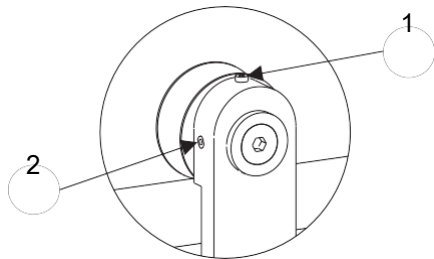


**Attention:**

The attachment of the fixing elements on the door need to be made exclusively via the illustrated screws

### c. Adjust door panel – Enable anti jimmy!

- Un tight locking screw (2).and lift up the door with the screw (1) up to 1 mm for anti – jimmy protection. Tight the locking screw (2) back.

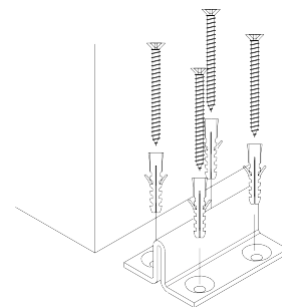


### Important!

Activation of anti – jimmy system for safety reasons are mandatory!

### 4. Assembling floor guide

- The position of the floor guide is under the door. Align the door edge and mark the position of the floor guide. Move the door on a side and fit the fixing screws. Carefully insert the door in the floor guide.



Flush with wall

### 5. Doorstopper installation

- Position the door in the left or right end position, push the door stopper on the overflow pipe on position and fix it with the fixing screws (4). Make sure that the door in both end positions still stands in the floor guide.

